



WEDGE (INDOOR + OUTDOOR)

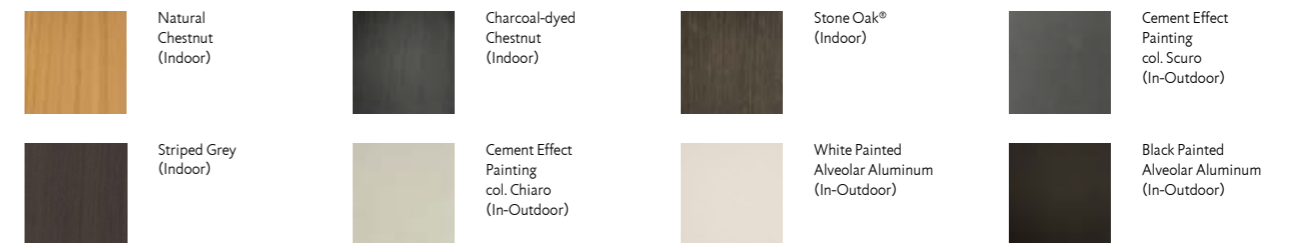
design Arik Levy

Rectangular dining table available for indoor or outdoor.

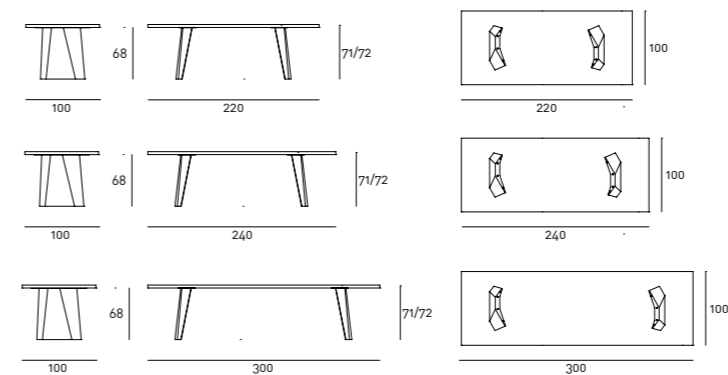
Indoor version: wooden table consisting of a double-panelled top of 40 mm, in balanced fir wood, reinforced by steel tubulars of 25x15 mm, and legs in multilayer birch veneered. Top veneered with plates and edged with solid wood of 4 mm on the perimeter. Finishing in natural chestnut, charcoal dyed chestnut, Stone Oak®, or multilaminar wood Striped Grey with water-based acrylic paint finish. Legs screwed to the top by steel plates finished with polyurethane lacquer.

Indoor/outdoor version: aluminum table consisting of a top in 28 mm alveolar aluminum completed with a 1 mm aluminum-sheet with folding finishing and legs in 5 mm alveolar aluminum panels with folding finishing. Primer for aluminum and outdoor polyurethane lacquer in RAL-K7 9010 white or 9017 black, or "cement effect" finish col. Chiaro or col. Scuro. Legs screwed to the top by steel plates finished with outdoor polyurethane lacquer.

Structure



Technical Drawings



Notes

Stone Oak®: this wood owes its particular coloring to an entirely natural process. Because of this, some slabs may look more brown than others. Our commitment is to provide you a high quality product; any differences in color should not be considered as defects.

Striped Grey: it is a decorative multilaminar wood veneer, always finished with a transparent acrylic painting, which features exclusive patterns reproducing the natural characteristics of wood. We would like to remind you that, being a natural and living wooden material, it may present non-homogeneous colour shades, which are peculiarities of the material itself.

On request, an additional protective (acrylic solvent) painting is available for the Stone Oak® finishing only. It should be noted that this additional coating slightly changes the natural color and texture of the surface. Although this supplementary painting increases the surface resistance, it is still a natural material; therefore small superficial stains, due to oil or other substances, have to be promptly removed, before being absorbed in depth by the wood. Thus, we recommend regular care and maintenance.

On request, for wooden version only, table with dimension 340x100x73cm in the finishing available in the collection.

"Cement-effect" finish obtained by cement-based materials applied manually, after sanding the surface, through different phases: 2 layers of primer coating applied with a brush and roller; 2 layers of the cement applied with a specific spatula – each stage is spaced by a 24h drying cycle, and further sanding before proceeding to the next phase – and final phase of 2 protective finishes, applied with a brush, as stain-resistant treatment, which prevents the immediate absorption of stains. The cement finish is furthermore protected with an acrylic paint finish, which provides the surface a good scratch resistance. A subsequent application of nano-molecular varnish, protects the finish from chemical agents, especially of food nature. The handicraft and preciousness of this application, creates finishes and surfaces which may differ from each other for finishing and shades of colours. This feature shows the exclusivity and craftsmanship of each creation.



