



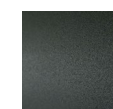
GREENE

design David Lopez Quincoces

Sofa and armchair with supporting structure in lacquered tubular steel, 60x30mm section, seat sprung with coated rubber elastic straps and padding in polyurethane foam. Backrest and armrest structure in tubular steel embedded in cold-expanded polyurethane foam with covering in 100% polyether, thermally bonded onto a polyamide velveteen backing, screwed to the supporting structure. Seat, armrests and backrests cushions in prewashed and sterilized goose down, stitched into separate compartments, with performed polyurethane foam insert.

Full-length seat cushion with, leaned, armrest cushion, joined together by a zip. Steel rod feet Ø22mm, screwed to the backrest structure with a bushing, welded within the structure and seat cushions support bar, in Ø20mm steel tube, fixed to the base by screw-spacer, with gunmetal grey epoxy powder coating. Floor support secured by adjustable black PVC feet. Cushions and structure upholstery in fabric or leather; the fabric version only is fully removable by zippers and Velcro fastenings. Seat depth: 64cm.

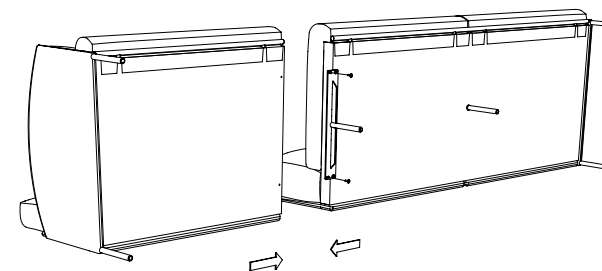
Feet



Steel with
Gunmetal Grey
Coating

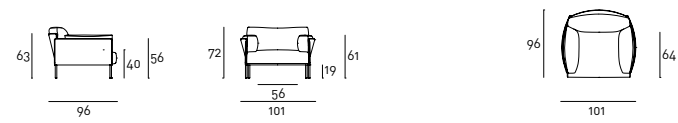
Notes

For dimensions 267/316cm, on request, the sofa can be supplied in two parts (always as shown in the drawing below).

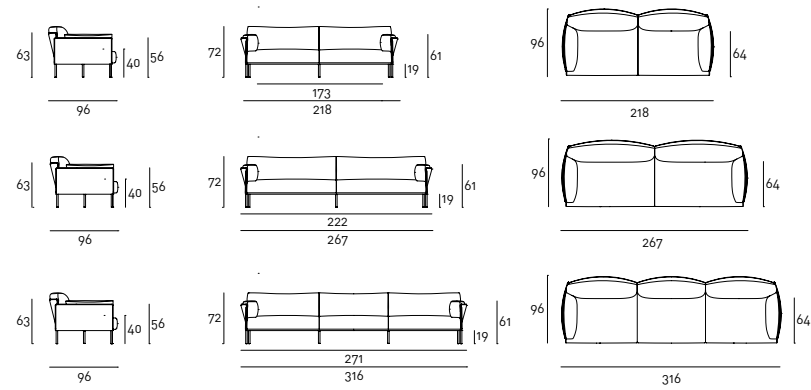


Technical Drawings

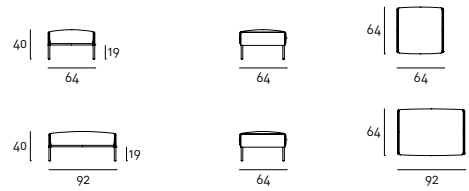
Armchair



Sofa



Footrest



Loose Cushion

