



## GREENE SYSTEM

design David Lopez Quincoces

Modular sofa with supporting structure in lacquered tubular steel, 60x30 mm section, seat sprung with coated rubber elastic straps and padding in polyurethane foam.

Backrest and armrest structure in tubular steel embedded in cold-expanded polyurethane foam with covering in 100% polyether, thermally bonded onto a polyamide velveteen backing, screwed to the supporting structure.

Seat, armrests, and backrests cushions in prewashed and sterilized goose down, stitched into separate compartments, with preformed polyurethane foam insert. Armrest cushions are joined to the seat cushions through a zip.

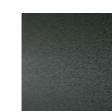
Joint bracket made of laser-cut steel sheet and steel rod, and steel rod feet Ø22 mm, screwed to the armrest structure with a bushings, welded within the structure and seat cushion support bar, in Ø20 mm steel tube, fixed to the base by screw-spacer, with gunmetal grey epoxy powder coating.

Floor support secured by adjustable black plastic feet.

Backrest and armrest structure upholstery available in Cuoietto and leather (both not removable), and in fabric (removable); cushions upholstery in leather or fabric, both fully removable by means of zips and Velcro straps.

Seat depth 64 cm.

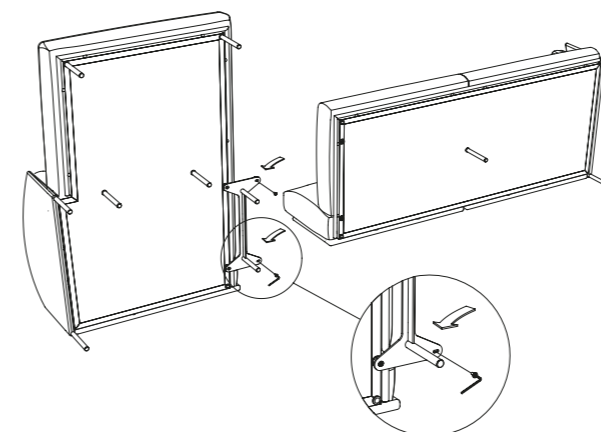
### Feet



Gunmetal Grey  
Lacquering

### Notes

The various elements are joined together by brackets, as shown in the drawing below.



The product comes standard with joint bracket; in case of freestanding use of the various elements, specify at the order, to provide individual feet.

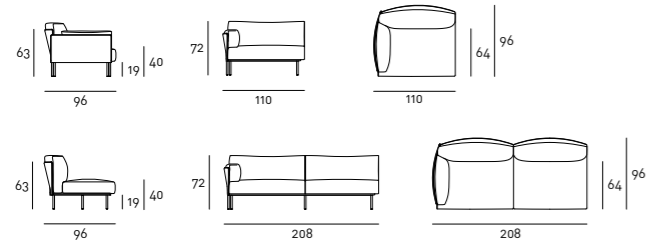
For composition with different elements, please attach a general sketch to the order.

According to the product shape, some coverings cannot be used; please refer to the adaptability sheet in the "Materials" section of the website.

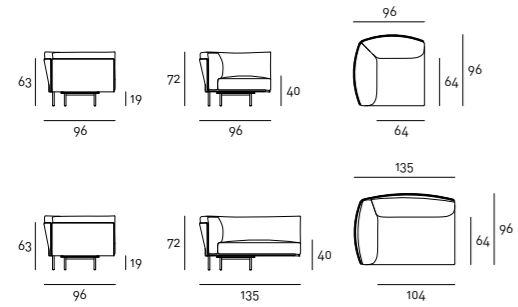
For leather coverings the "Leather A" or "Leather B" Maintenance Kit is included with the product.

## Technical Drawings

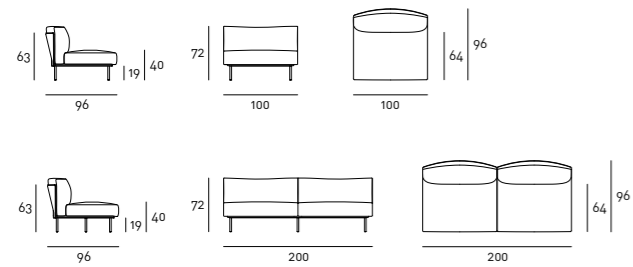
### Terminal Element with left/right armrest



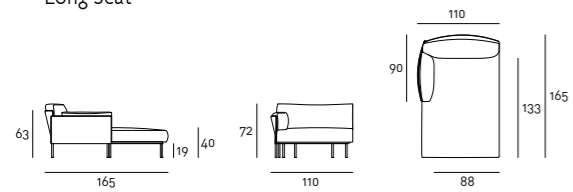
### Corner Element



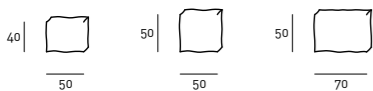
### Central Element



### Long Seat

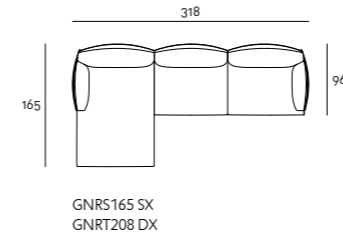


### Loose Cushion

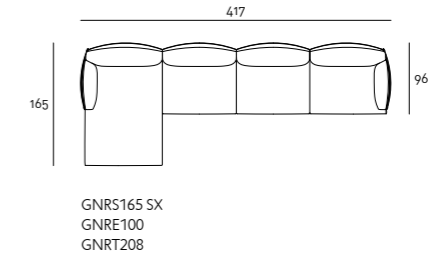


## Examples of Composition

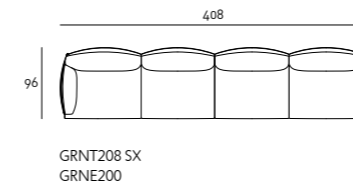
### Composition 01



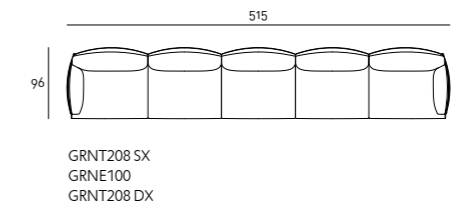
### Composition 02



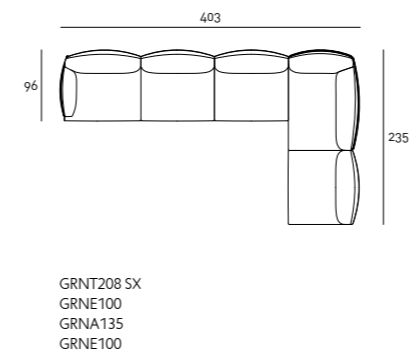
### Composition 04



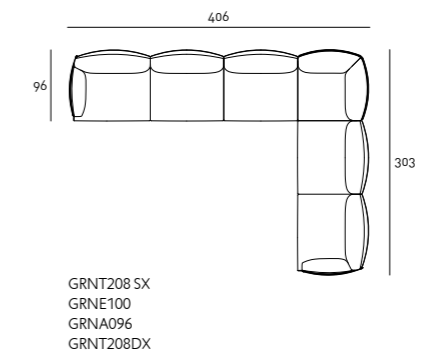
### Composition 05



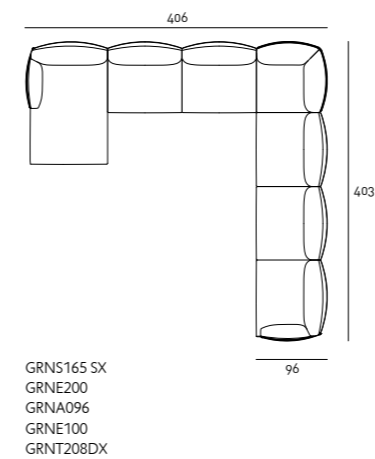
### Composition 06



### Composition 07



### Composition 08



The commercial codes refer to the elements chosen in the above-proposed compositions.





