



ILE CLUB OUTDOOR | OUTDOOR

design Piero Lissoni

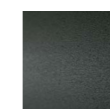
Divani ed elementi componibili per esterni di diverse dimensioni costituiti da telaio sedile in acciaio Inox AISI 316 verniciato, con molleggio garantito da doghe in polipropilene con anima in fibra di vetro (GOODSIDE®). Struttura braccioli e schienale, fissati al telaio sedile tramite viti, in multistrato per esterno; imbottitura struttura braccioli, schienale e cuscino di seduta in schiuma poliuretanica a cellula aperta a densità differenziata, rivestita con tessuto drenante.

Base in tubolare quadro d'acciaio Inox AISI 316 satinato opaco oppure in acciaio Inox AISI 316 verniciato grigio canna di fucile o colore brunito. Rivestimento in tessuto per esterni, interamente sfoderabile tramite cerniere e velcro a strappo. Profondità di seduta 66 cm.

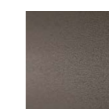
Structure



Stainless Steel
with Matt Satin
Finish



Gunmetal Grey
Lacquering



Burnished
Painting

Notes

According to the product shape, some coverings cannot be used; please refer to the adaptability sheet in the "Materials" section of the website.

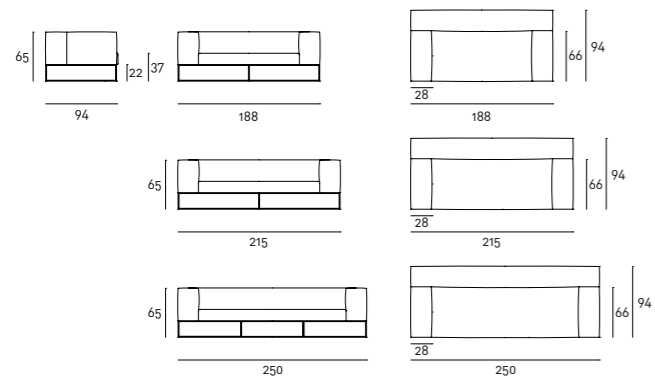
It is recommended to use a "Protective Cover" to improve the longevity of the product; please note that the protective cover is made of a water vapor repellent fabric, perfect to prevent and protect from the formation of mold, easily washable with water and soap. Do not keep the fabric folded for a long time when it is wet.

For further information about the dedicated maintenance, please refer to the technical sheet available in the "Materials" section on our website. Lastly, we recommend placing the product on terraces or verandas to guarantee its durability over the years.

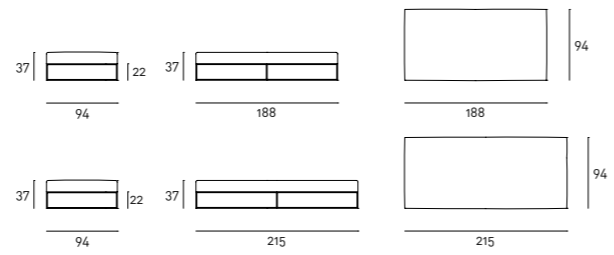
For composition with different elements, please attach a general sketch to the order.

Technical Drawings

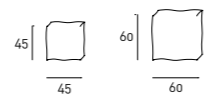
Sofa



Bench



Loose Cushion



Terminal Element

