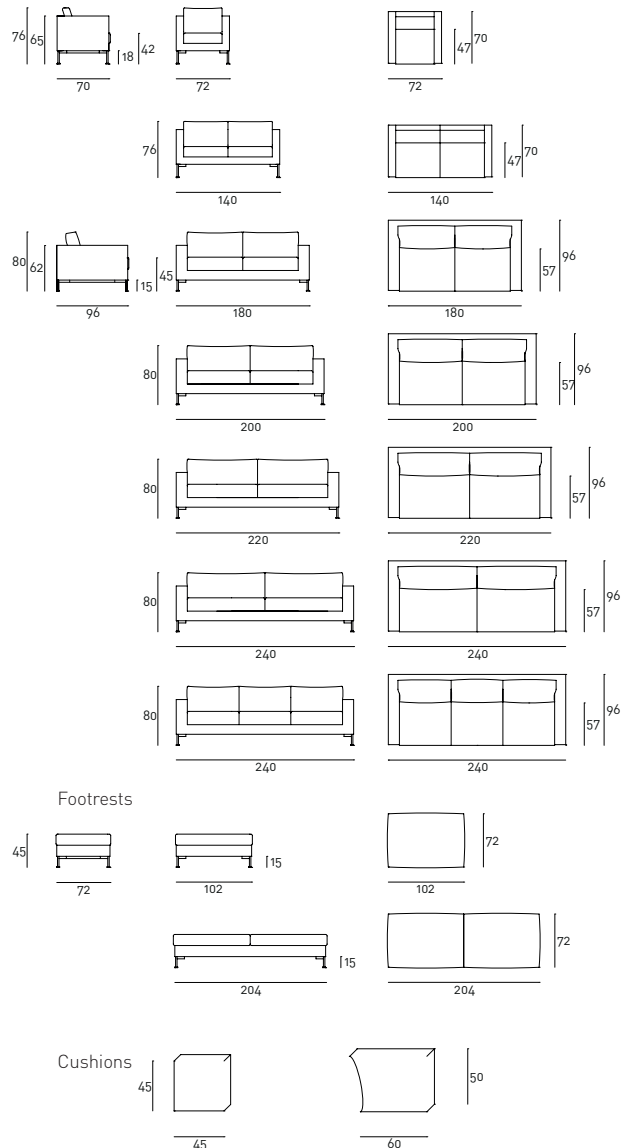




## Box

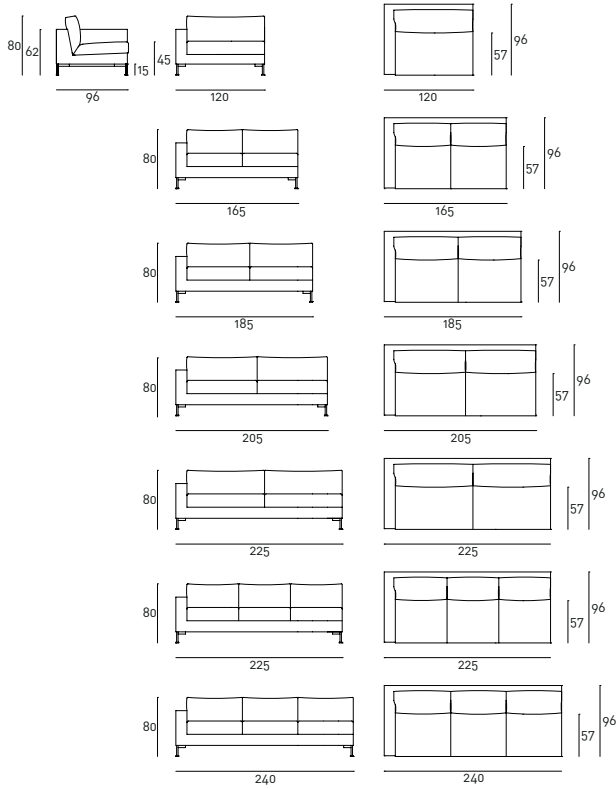
design Piero Lissoni

Fix or modular sofa and armchair with one-piece frame in double-paneled poplar and pine. Support in cross-woven, coated rubber elastic straps. Shell padding in differentiated density polyurethane foam. Covering in needle punched, resinated, non-woven polyester fibre, bonded onto a polyamide velveteen backing. Seat and back cushions in prewashed and sterilized goose down, stitched into separate compartments, or with preformed structure in differentiated density polyurethane foam, coated with acrylic fibre layers. Steel feet, chromed or, on request, with satin nickel finish joined by a bracket. Fabric or leather upholstery. The fabric version only is available with flounce 9cm from the floor and is fully removable by zippers and Velcro fastenings. The leather version is always without flounce and non-removable upholstery. Seat depth 47-57cm.

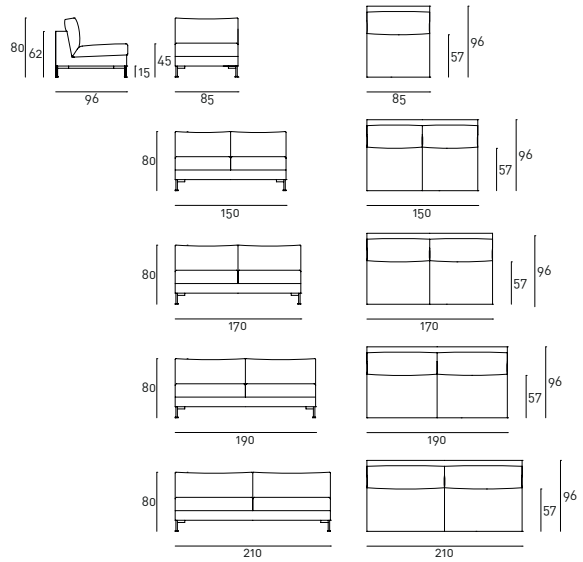


**Box**  
design Piero Lissoni

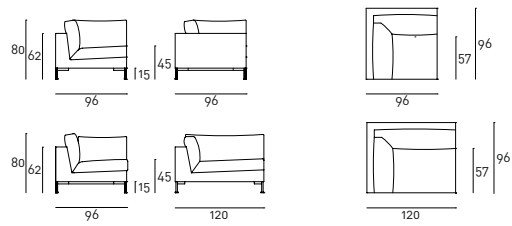
End elements



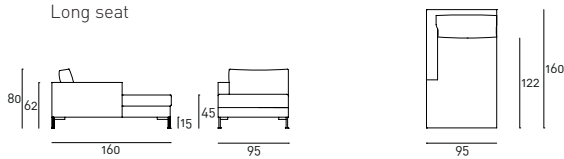
Elements without armrest



Corner elements



Long seat



Sofas with flounce

