

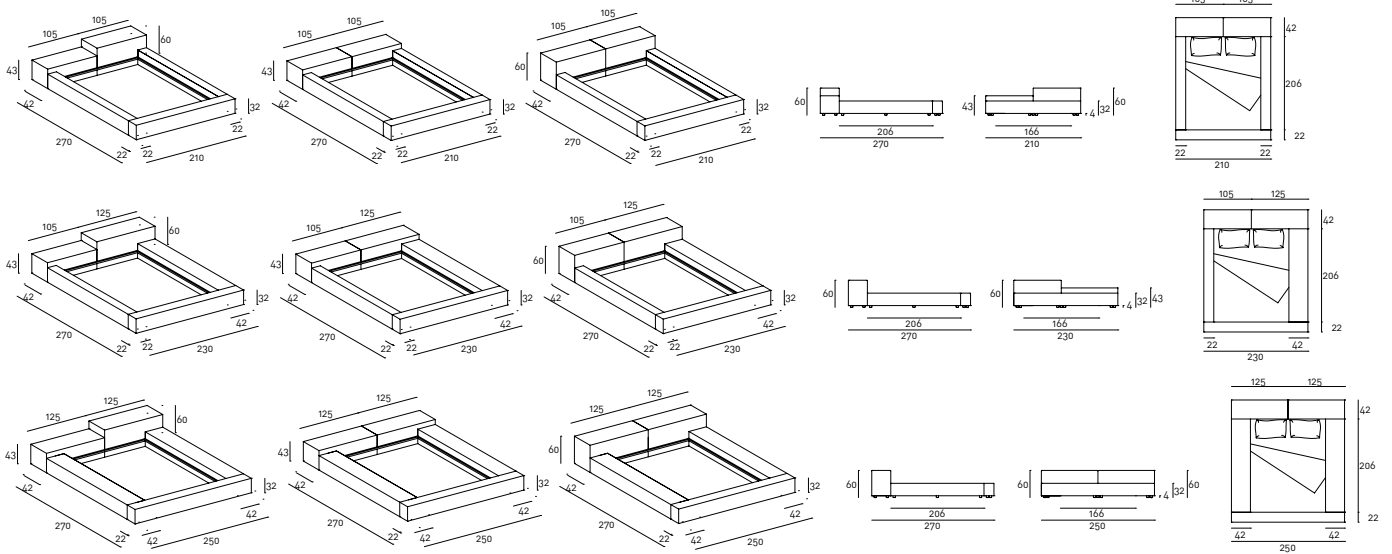


Extra Wall Bed

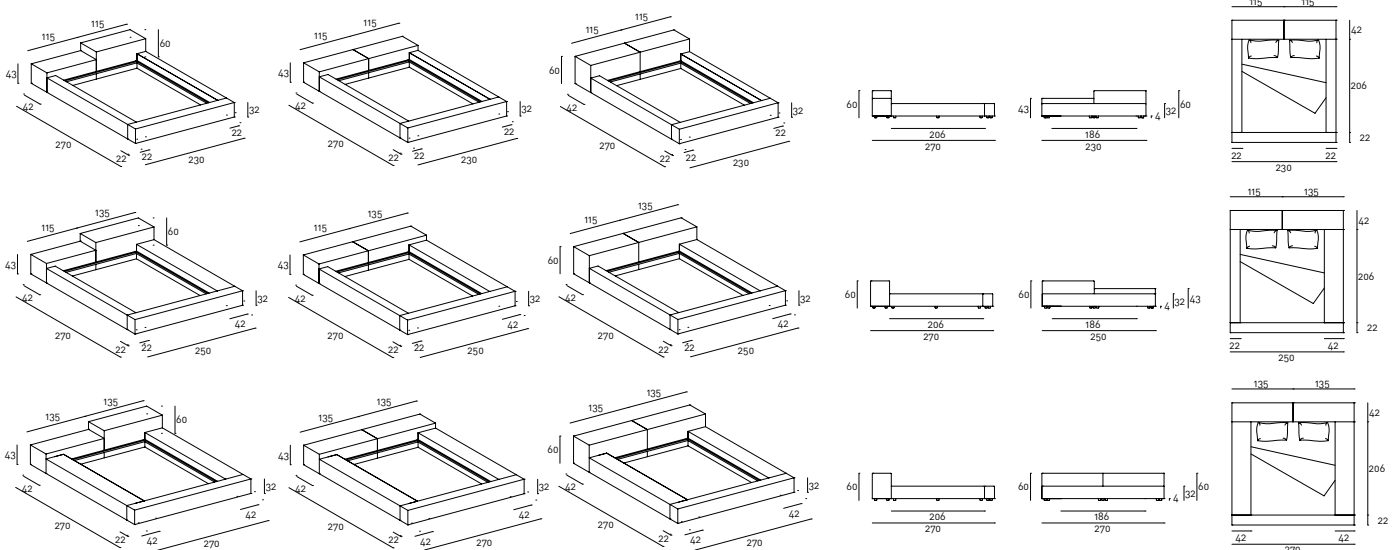
design Piero Lissoni

Bed with headboard and bedstead structure in double-paneled poplar and pine padded in differentiated density polyurethane foam. Covering in needle punched, resinated, nonwoven polyester fibre, bonded onto a polyamide velveteen backing. Black adjustable PVC feet. Black lacquered metal frame for bed assembly and slat base support. Fabric or leather upholstery, the fabric version only is fully removable by Velcro fastenings. Available also in American Queen and King size. Available also with a mechanism with a gas lift piston to raise the slat base.

Matress 160 x 200

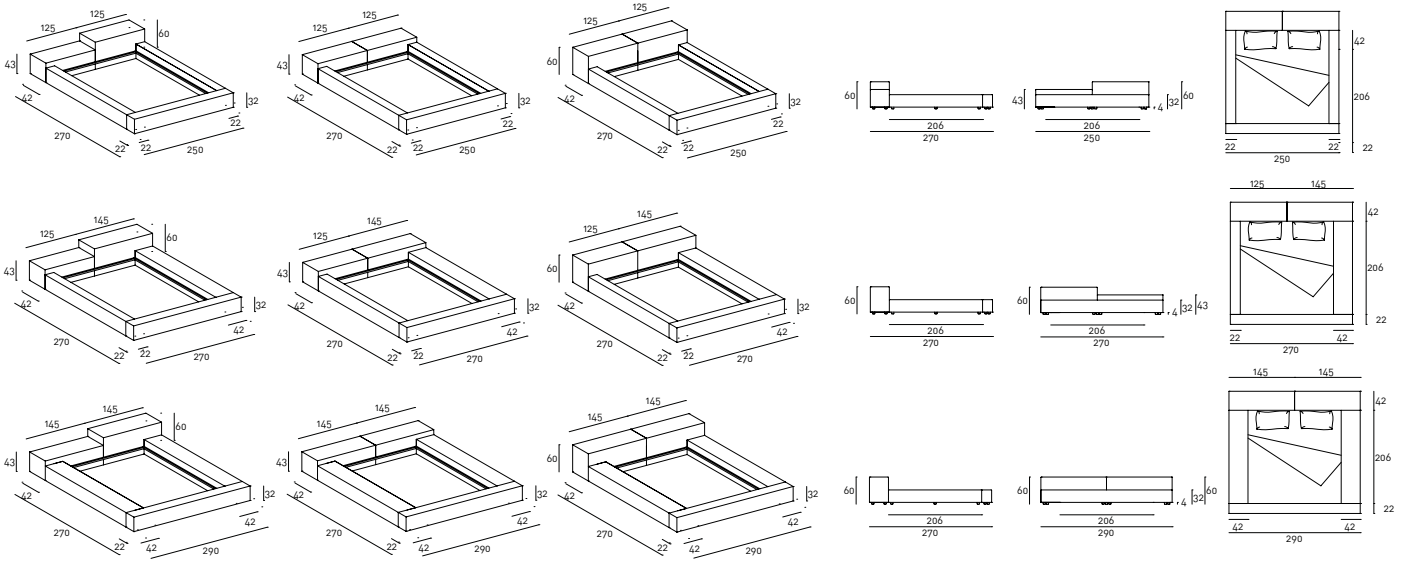


Matress 180 x 200

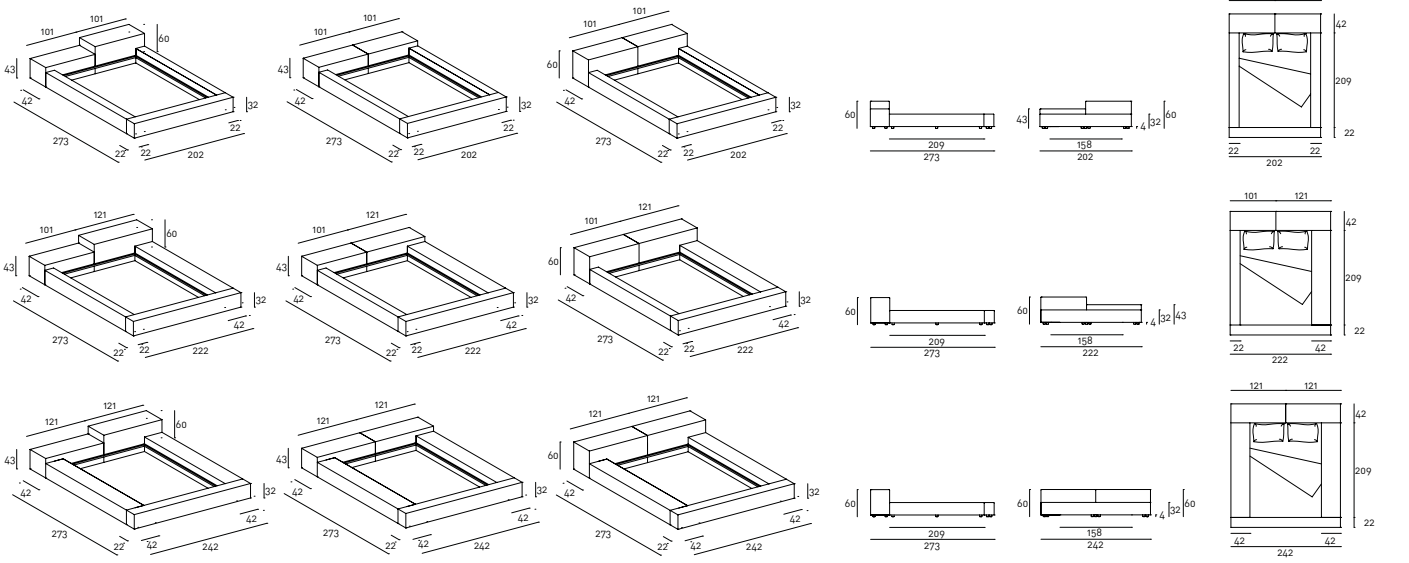


Extra Wall Bed
design Piero Lissoni

Matress 200 x 200



Queen size - Matress 153 x 203



King size - Matress 192 x 203

