



## WEDGE | INDOOR - OUTDOOR

design Arik Levy

Rectangular dining table available for indoor or outdoor.

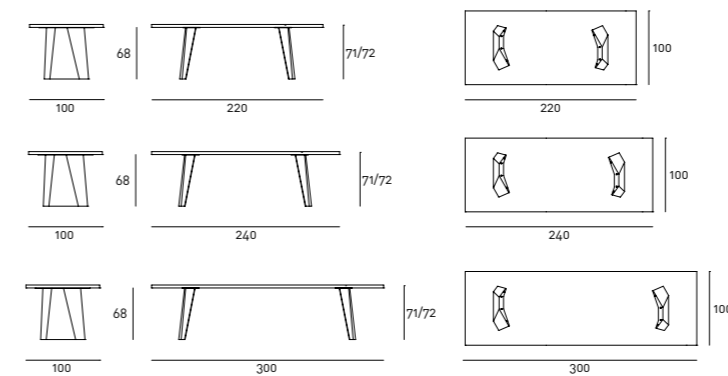
**Indoor version:** wooden table consisting of a double-paneled top of 40 mm, in balanced fir wood, reinforced by steel tubulars of 25x15 mm, and legs in multilayer birch veneered. Top veneered with plates and edged with solid wood of 4 mm on the perimeter. Finishing in natural chestnut, charcoal dyed chestnut, Stone Oak®, or multilaminar wood Striped Grey with water-based acrylic paint finish. Legs screwed to the top by steel plates finished with polyurethane lacquer.

**Indoor/outdoor version:** aluminum table consisting of a top in 28 mm alveolar aluminum completed with a 1 mm aluminum-sheet with folding finishing and legs in 5 mm alveolar aluminum panels with folding finishing. Primer for aluminum and outdoor polyurethane lacquer in RAL 9010 white or RAL 9017 black, or Cement Effect finish col. Chiaro or col. Scuro. Legs screwed to the top by steel plates finished with outdoor polyurethane lacquer.

### Top and Legs



### Technical Drawings



### Notes

Wood is a living material; therefore, it can have slight color and dimension changes. The presence of any non-homogeneous color shades is not to be considered a defect but a quality. Please note that the direct sunlight exposure may alter the wood color; therefore, we recommend the periodic position shift of the objects placed on the furniture for the first months to avoid differences in shades between exposed and covered portions.

Striped Grey: it is a decorative multilaminar wood veneer, always finished with a transparent acrylic painting, which features exclusive patterns reproducing the natural characteristics of wood. We would like to remind you that, being a natural and living wooden material, it may present non-homogeneous colour shades, which are peculiarities of the material itself.

Stone Oak®: this wood owes its particular coloring to an entirely natural process. Because of this, some slabs may look more brown than others. Our commitment is to provide you a high-quality product; any differences in color should not be considered as defects. For further information about this wood, please refer to the technical sheet available in the "Materials" section on our website.

On request, an additional protective (acrylic solvent) painting is available for the Stone Oak® finishing only. It should be noted that this additional coating slightly changes the natural color and texture of the surface. Although this supplementary painting increases the surface resistance, it is still a natural material; therefore small superficial stains, due to oil or other substances, have to be promptly removed, before being absorbed in depth by the wood. Thus, we recommend regular care and maintenance.

A richiesta, per la sola versione in legno, tavolo disponibile nella dimensione 340x100x72cm, nelle finiture a catalogo.

"Cement-effect" finish obtained by cement-based materials applied manually, after sanding the surface, through different phases: 2 layers of primer coating applied with a brush and roller; 2 layers of the cement applied with a specific spatula – each stage is spaced by a 24h drying cycle, and further sanding before proceeding to the next phase – and final phase of 2 protective finishes, applied with a brush, as stain-resistant treatment, which prevents the immediate absorption of stains. The cement finish is furthermore protected with an acrylic paint finish, which provides the surface a good scratch resistance. A subsequent application of nano-molecular varnish, protects the finish from chemical agents, especially of food nature. The handicraft and preciousness of this application, creates finishes and surfaces which may differ from each other for finishing and shades of colours. This feature shows the exclusivity and craftsmanship of each creation.

For the OUTDOOR version, it is recommended to use a "Protective Cover" to improve the longevity of products; please note that the protective cover is made of a water vapor repellent fabric, perfect to prevent and protect from the formation of mold, easily washable with water and soap. Do not keep the fabric folded for a long time when it is wet. For further information about the dedicated maintenance, please refer to the technical sheet available in the "Materials" section on our website. Lastly, we recommend placing the product on terraces or verandas to guarantee its durability over the years.







