



Floyd-Hi 2

design Piero Lissoni

Linear sofa and armchair with backrest and armrests structure in multilayer poplar wood and double-panelled fir-wood, padded in differentiated density polyurethane foam, and covering in needle punched, resinated, non-woven polyester fiber, bonded onto a polyamide velveteen backing.

Steel seat chassis, with epoxy powder coating, sprung with coated rubber elastic straps, padded in polyurethane foam covered in 100% polyether thermally bonded onto a polyamide velveteen backing.

Backrest and armrest cushion in prewashed and sterilized goose down, stitched into separate compartments, with polyurethane foam insert.

Seat cushion in differentiated density polyurethane foam and Visco-soft insert, covered with acrylic fibre layers.

Foot made of laser-cut steel sheet with epoxy powder coating gunmetal grey color.

Floor support secured by black PVC feet.

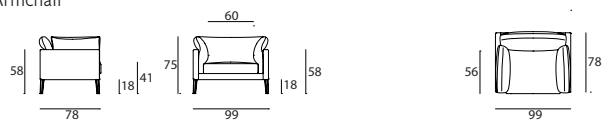
Fabric or leather upholstery, both fully removable by zippers and Velcro fastenings.

Seat depth: Armchair 56cm; Sofa 68cm.

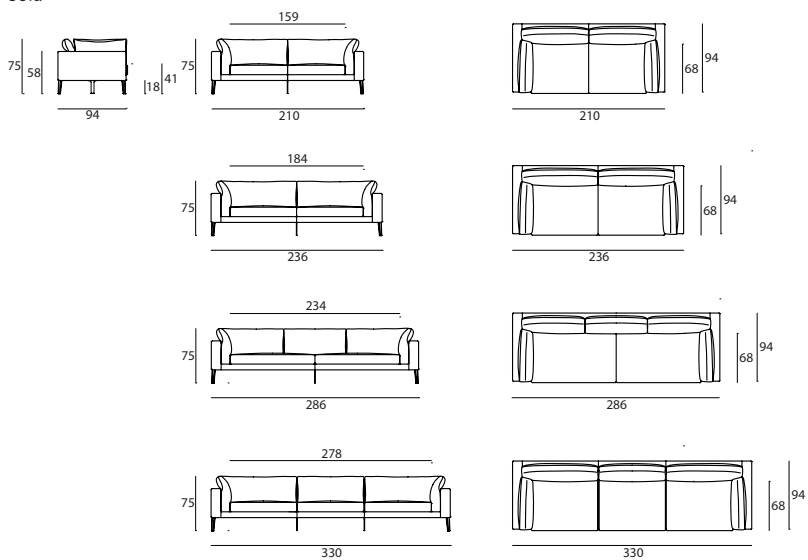


Floyd-Hi 2
design Piero Lissoni

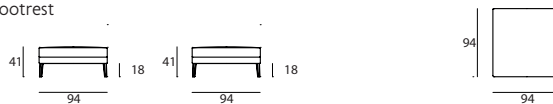
Armchair



Sofa



Footrest



Cushions

